



KENARI DJAJA
SINCE 1965
We provide more than security

— *Lever Handle* —

MODERN MINIMALIS



Lever Handle



KENARI DJAJA
SINCE 1969
We provide more than security

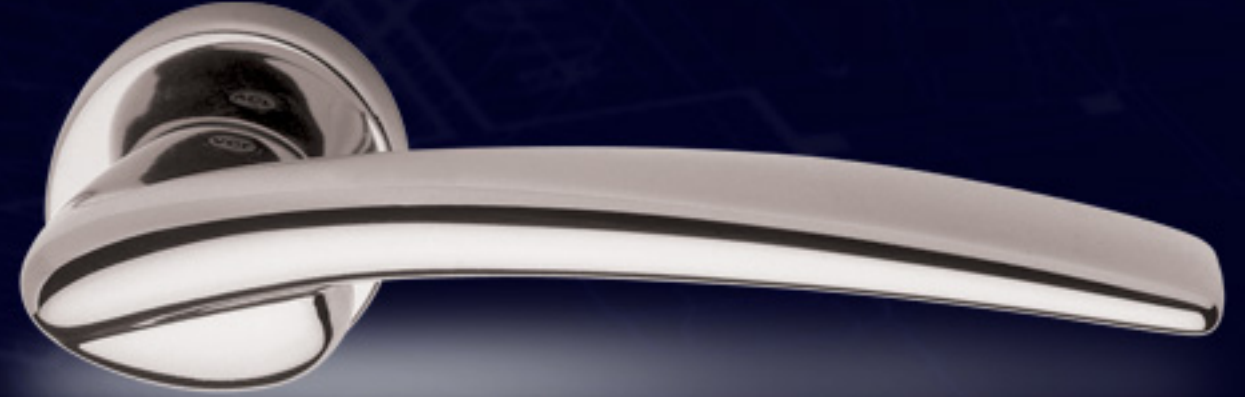
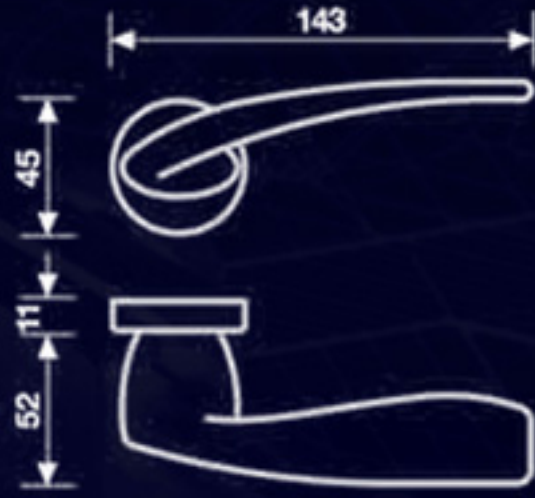
Valli&Valli
ASSA ABLOY



HRE.08.33

H 1027 Dafne Series
Studio Carlesi Design

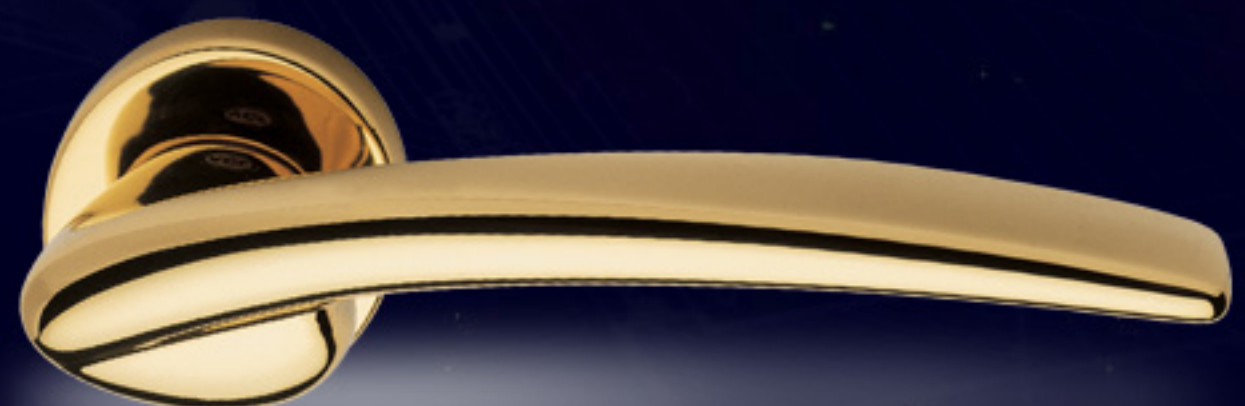
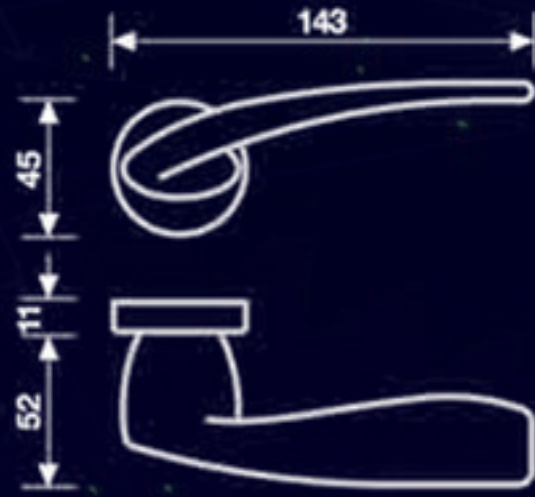
Material : Brass
Finish : - US26D (Satin Chrome)



HRE.08.33

H 1027 Dafne Series
Studio Carlesi Design

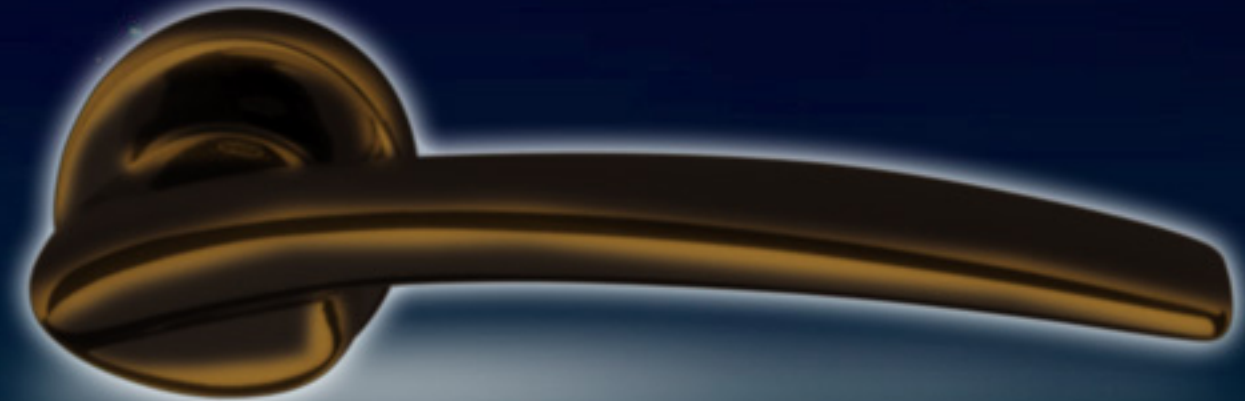
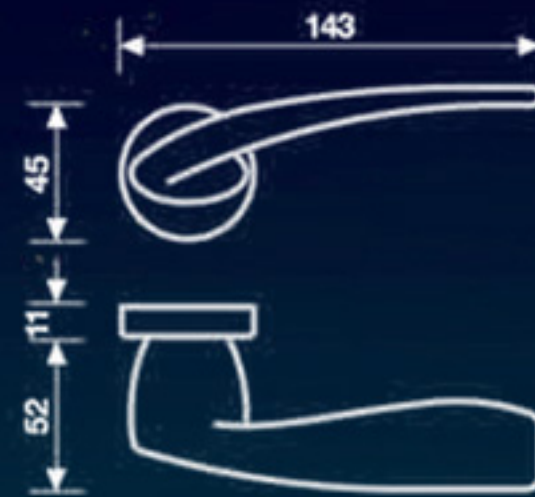
Material : Brass
Finish : - US3 (Polished Brass)



HRE.08.33

H 1027 Dafne Series
Studio Carlesi Design

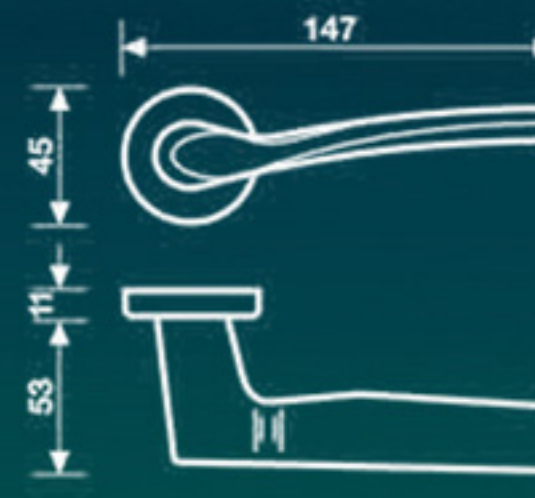
Material : Brass
Finish : - A (Antique)



HRE.08.34

H 1018 Otello Series
Marius Schreyer Design

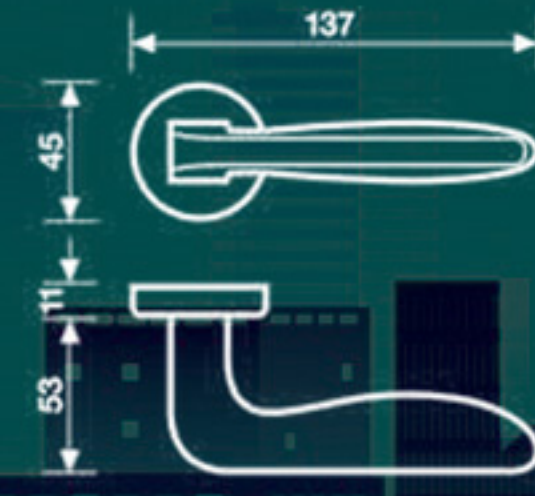
Material : Brass
Finish : US26+US26D
(Polished + Satin Chrome)



HRE.08.37

H 1022 Ernani Series
Valli Workshop Design

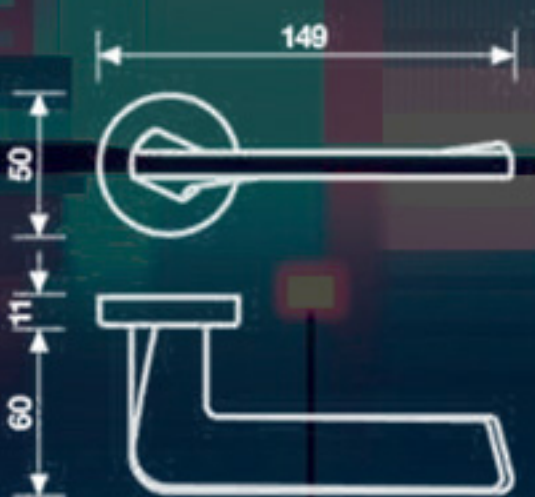
Material : Brass
Finish : US26+US26D
(Polished + Satin Chrome)



HRE.08.47

H 1039 Fedra Series
Jean-Baptiste Sibertin Blanc Design

Material : Brass
Finish : US26+US26D
(Polished + Satin Chrome)



Lever Handle



KENARI DJAJA
SINCE 1969
We provide more than security

Valli&Valli
ASSA ABLOY



HRE.08.49

H 1045 Bess Series
Yoshimi Kono Design

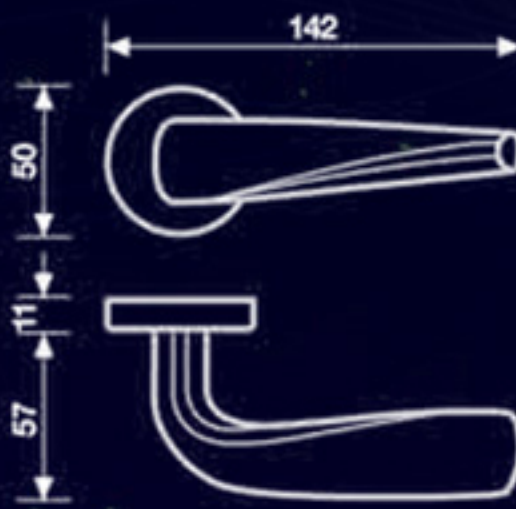
Material : Brass
Finish : US26D (Satin Chrome)



HRE.08.50

H 1042 Walkiria Series
Panacom Architects
Arseniy Leonovich Design

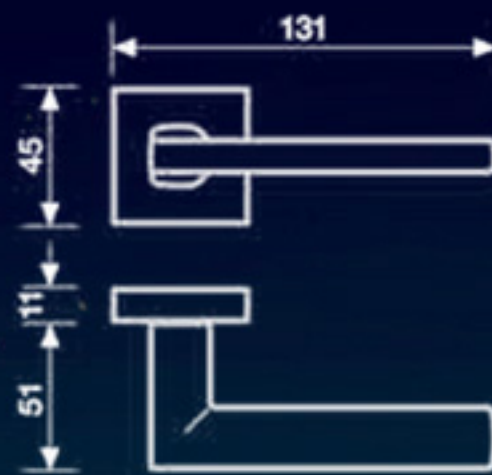
Material : Brass
Finish : US26D (Satin Chrome)



HRE.08.51

H 1046 Nais Series
Valli Workshop Design

Material : Brass
Finish : US26D (Satin Chrome)



HRE.08.59

H 165 Germana Series
Valli Workshop Design

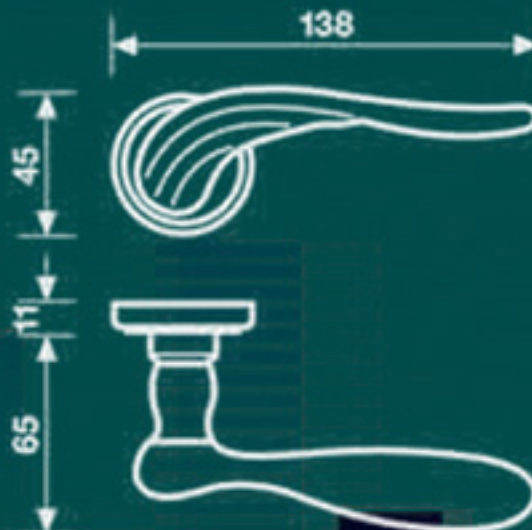
Material : Brass
Finish : A (Antique)



HRE.08.60

H 179 Aida Series
Matteo Thun Design

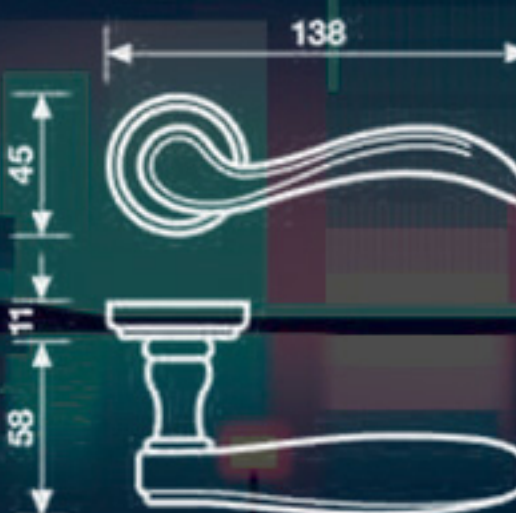
Material : Brass
Finish : A (Antique)



HRE.08.61

H 174 Altair Series
Valli Workshop Design

Material : Brass
Finish : A (Antique)



Lever Handle



KENARI DJAJA
SINCE 1969
We provide more than security

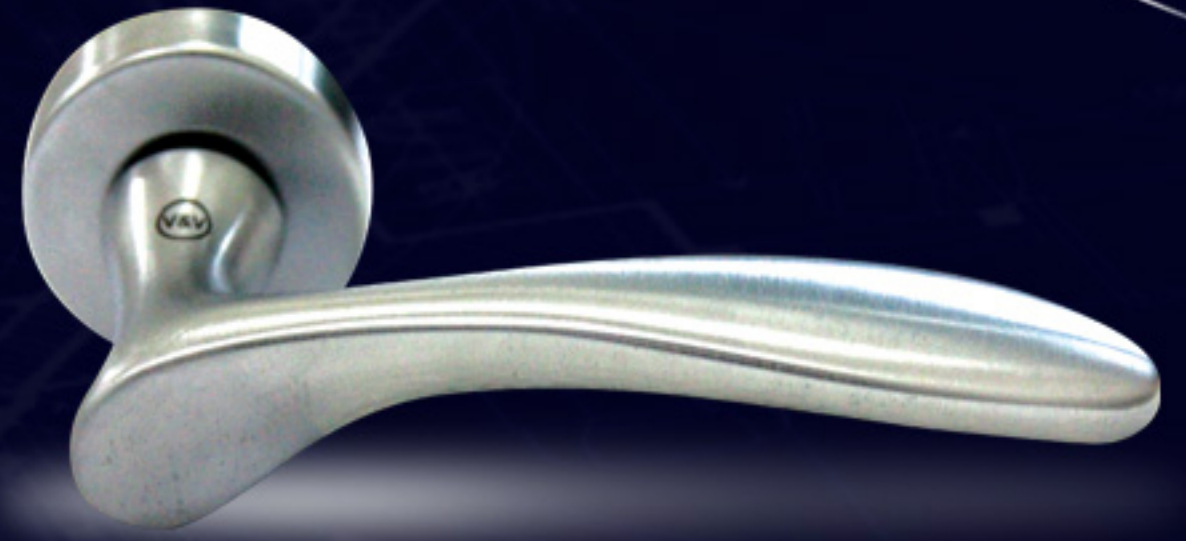


Valli&Valli
ASSA ABLOY

HRE.08.62

H 198 Mizar Series
Eero Aarnio Design

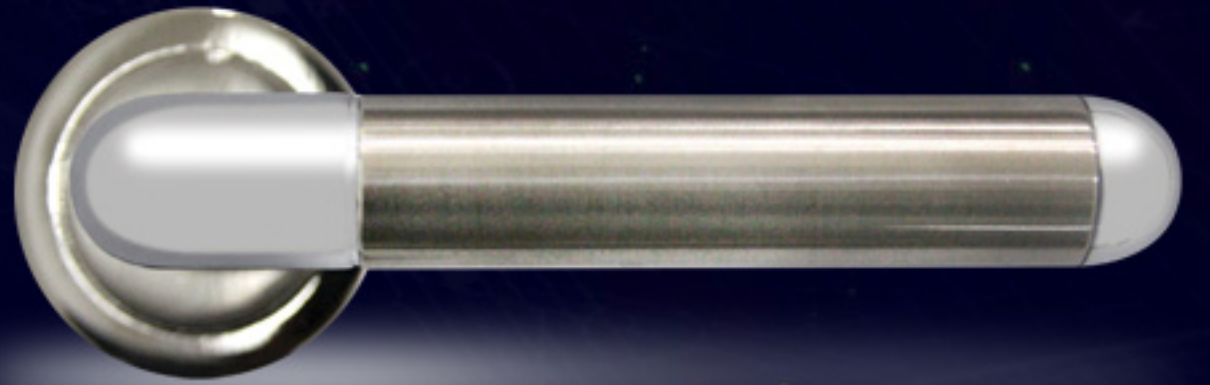
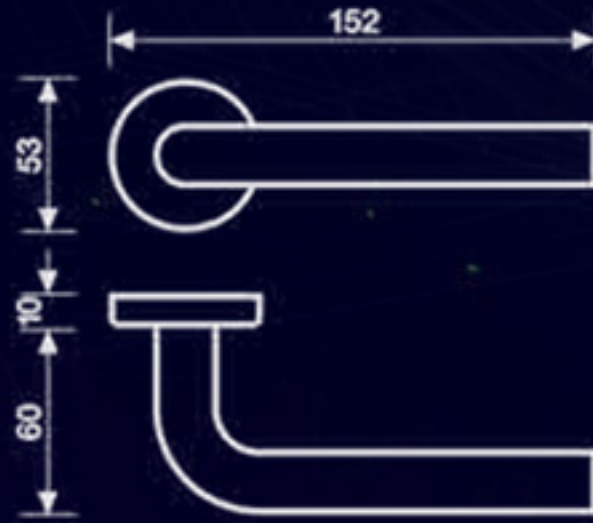
Material : Brass
Finish : US26D (Satin Chrome)



HRE.08.63

H 4705
Valli Workshop Design

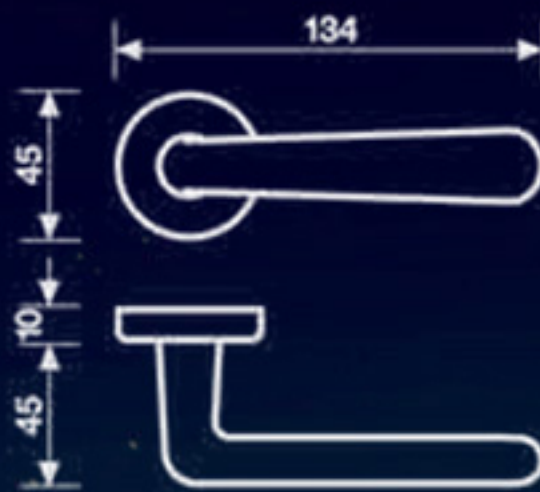
Material : Stainless Steel
Finish : US32+US32D
(Polished + Satin Stainless Steel)



HRE.07.09

H 417 Indigo Series
Valli Workshop Design

Material : Brass
Finish : US26+US26D
(Polished + Satin Chrome)



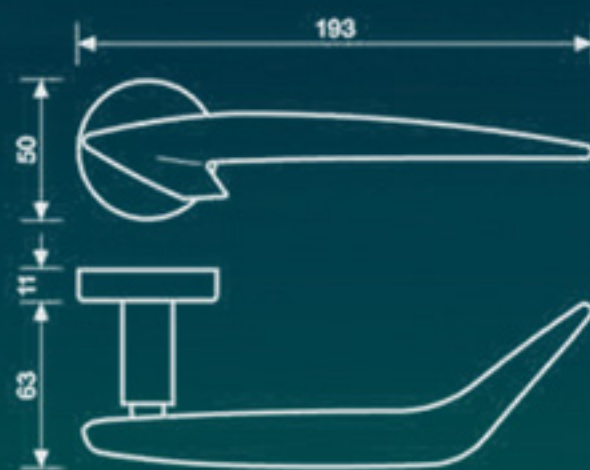
Fusital

HRE.06.26

H 352 ODBC
Duemiladue Series
design Odile Decq - Benoit Cornette



Material : Brass
Finish : US26D
(Satin Chrome)

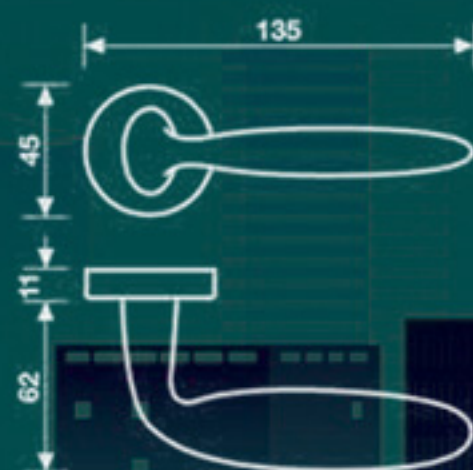


HRE.06.31

H 330 T Novantasette Series
design Matteo Thun



Material : Brass
Finish : US26D
(Satin Chrome)

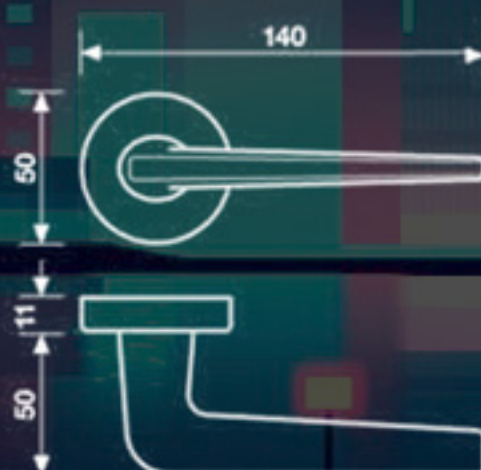


HRE.06.33

H 348 DC Duemiladue Series
design David Chipperfield Architects



Material : Brass
Finish : US26D
(Satin Chrome)





HRE.06.34

H 338 YK Duemila Series
design Yoshimi Kono

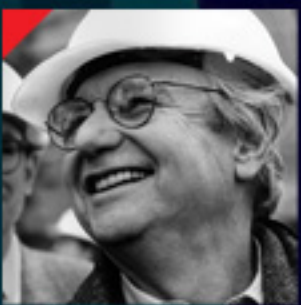


Material : Brass
Finish : US26D
(Satin Chrome)

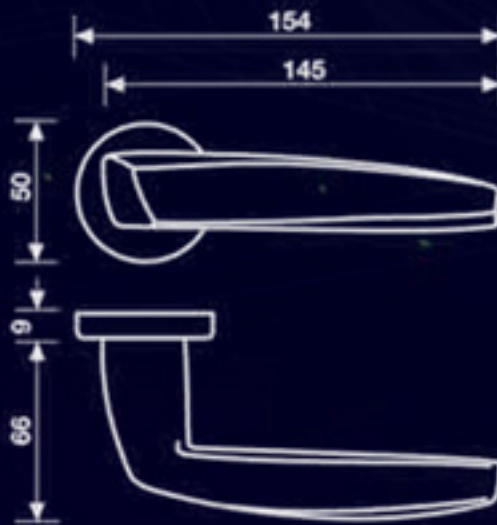


HRE.06.37

H 5021 Arrowhead Series
design Frank O. Gehry



Material :
Stainless Steel
SUS 316
Finish : US32D
(Satin
Stainless Steel)

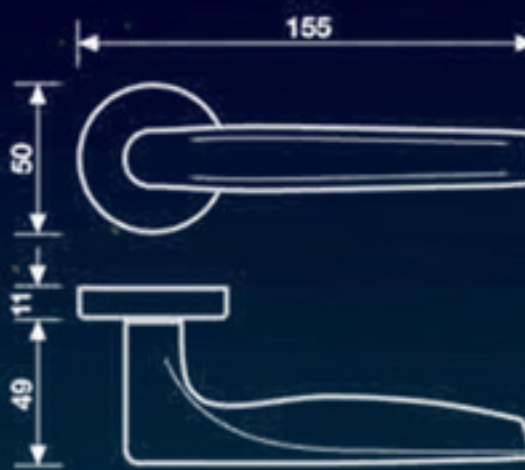


HRE.06.38

H 359 SOM
New York Duemilasette Series
design Skidmore, Owings & Merrill



Material : Brass
Finish : US26D
(Satin Chrome)

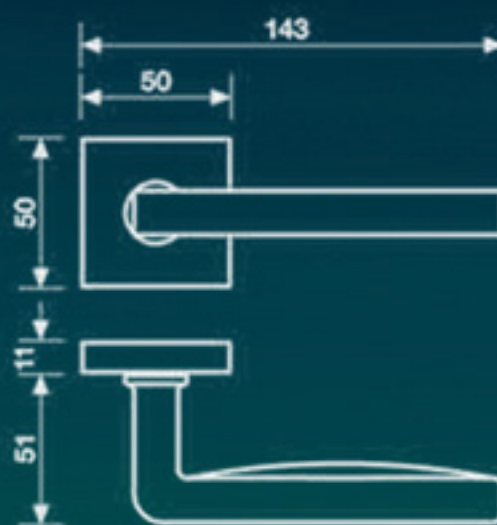


HRE.06.40

H 361 AC4
Duemilasei Series
design Antonio Citterio



Material : Brass
Finish : US26D
(Satin Chrome)

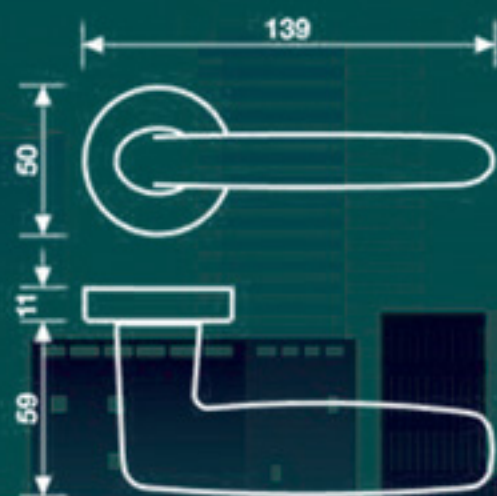


HRE.06.42

H 363 DC
Duemilanove Series
design David Chipperfield Architects

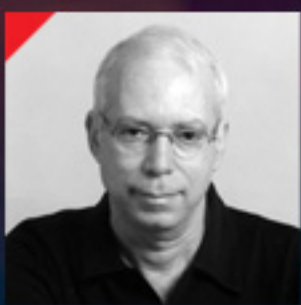


Material : Brass
Finish : US26D
(Satin Chrome)

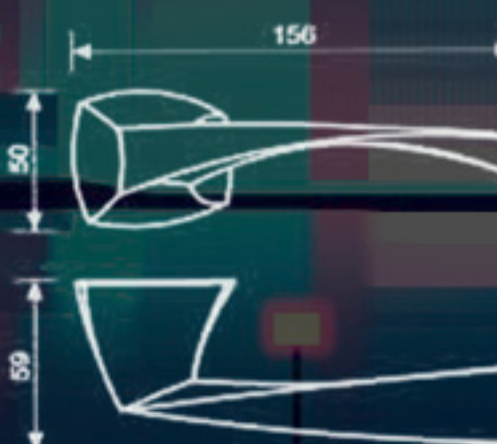


HRE.06.43

H 369 EG
Duemilanove Series
design Eri Goshen

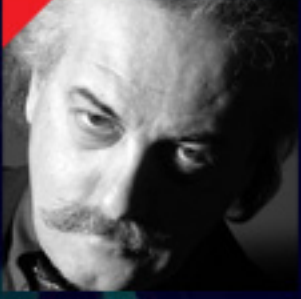


Material : Brass
Finish : US26D
(Satin Chrome)



HRE.06.44

H 367 GV
Duemilanove Series
design Giancarlo Vegni



Material : Brass
Finish : US26D
(Satin Chrome)

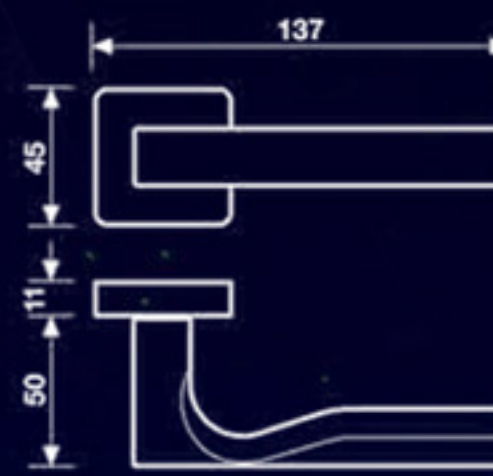


HRE.06.45

H 364 MB
Duemilanove Series
design Mario Bellini



Material : Brass
Finish : US26D
(Satin Chrome)

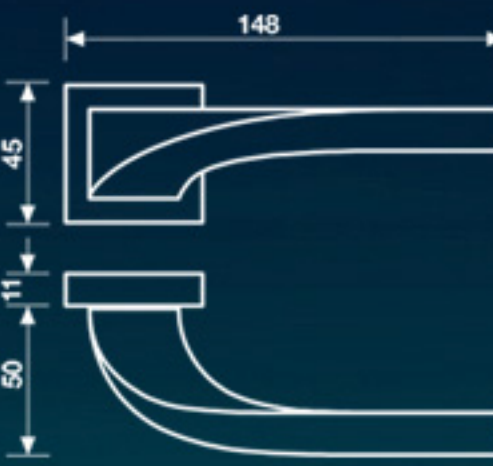


HRE.06.47

H 372 EG
Duemilaundici Series
design Eri Goshen



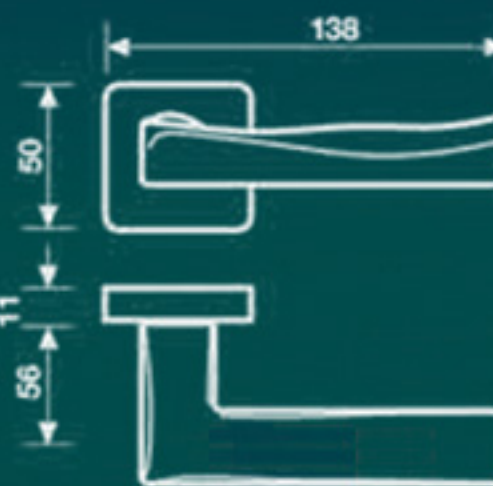
Material : Brass
Finish : US26D
(Satin Chrome)



HRE.06.49

H 376 Mercurio Series
design Fusital Workshop

Material : Brass
Finish : US26+US26D
(Polished + Satin Chrome)

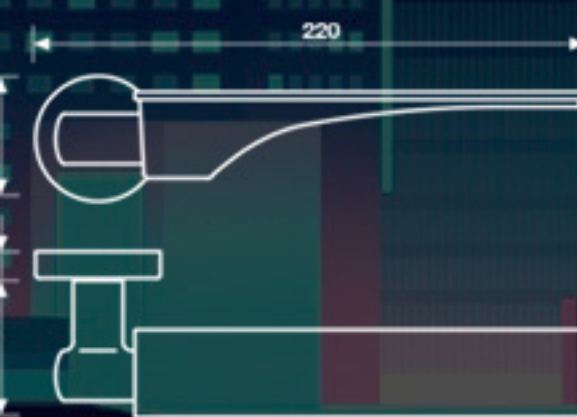


HRE.06.51 US26+BL

H 373 DOB
Duemiladodici Series
design
Dante O. Benini e Luca Gonzo



Material : Brass
Finish : US26+BL
(Polished Chrome + Black)



Lever Handle



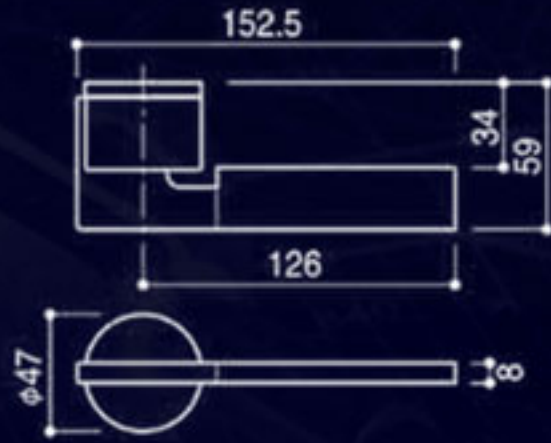
KENARI DJAJA
SINCE 1969
We provide more than security

MADE IN JAPAN

KAWAJUN
DESIGN & QUALITY

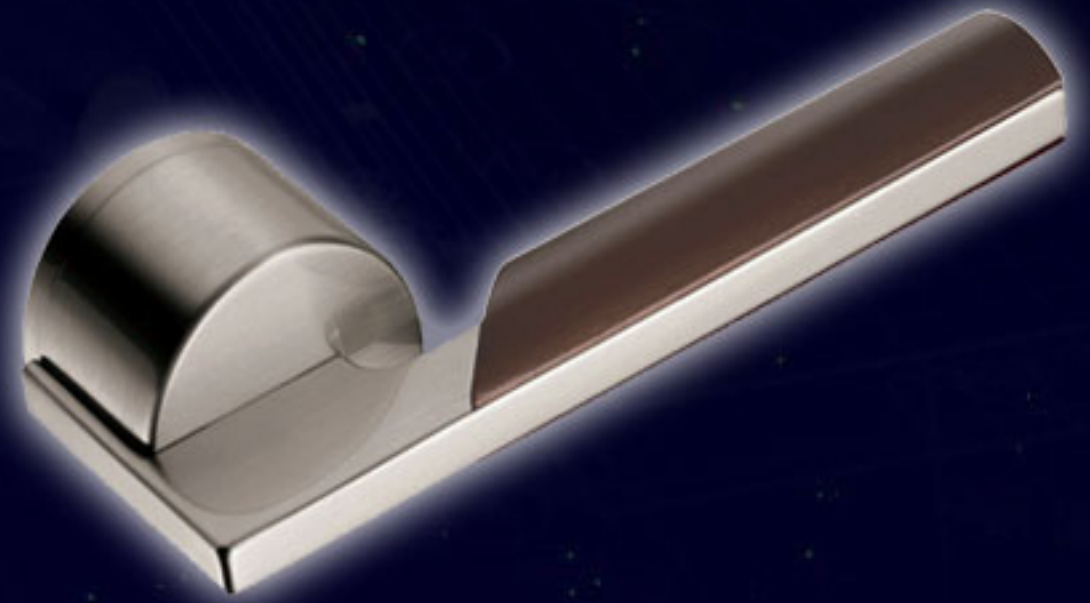
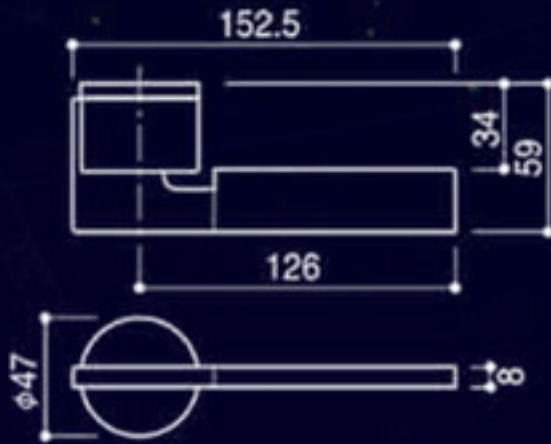
HRE.830.01

M1C
Material : Zinc Die Casting
Finish : US15
(Satin Nickel)



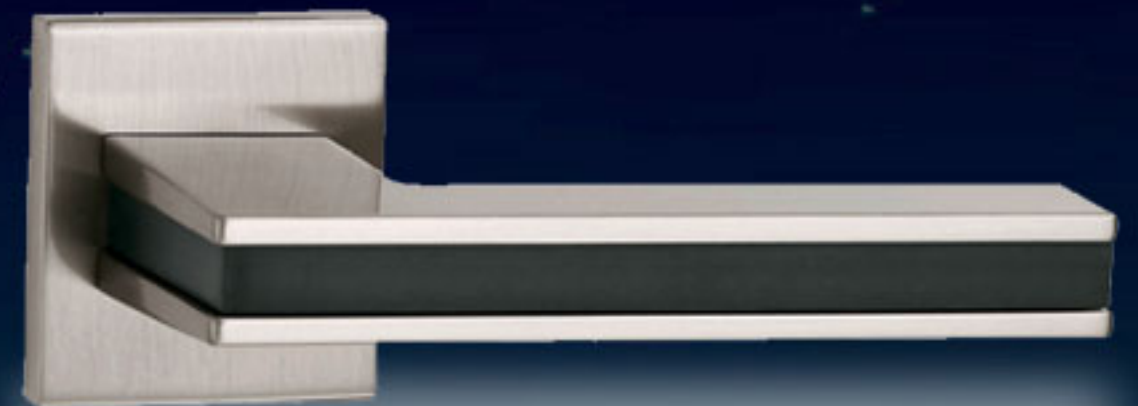
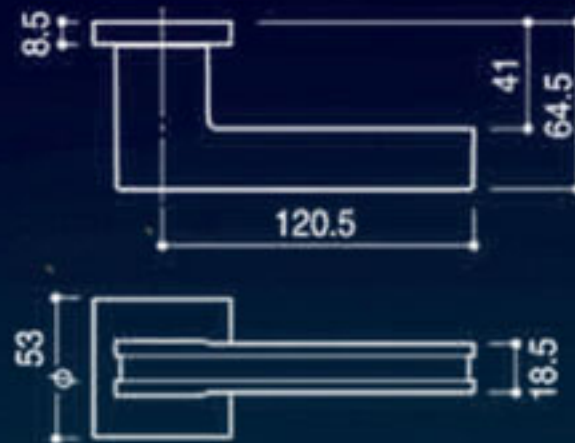
HRE.830.02

M3C
Material : Zinc Die Casting
Finish : US15 + Wood
(Satin Nickel + Wood)



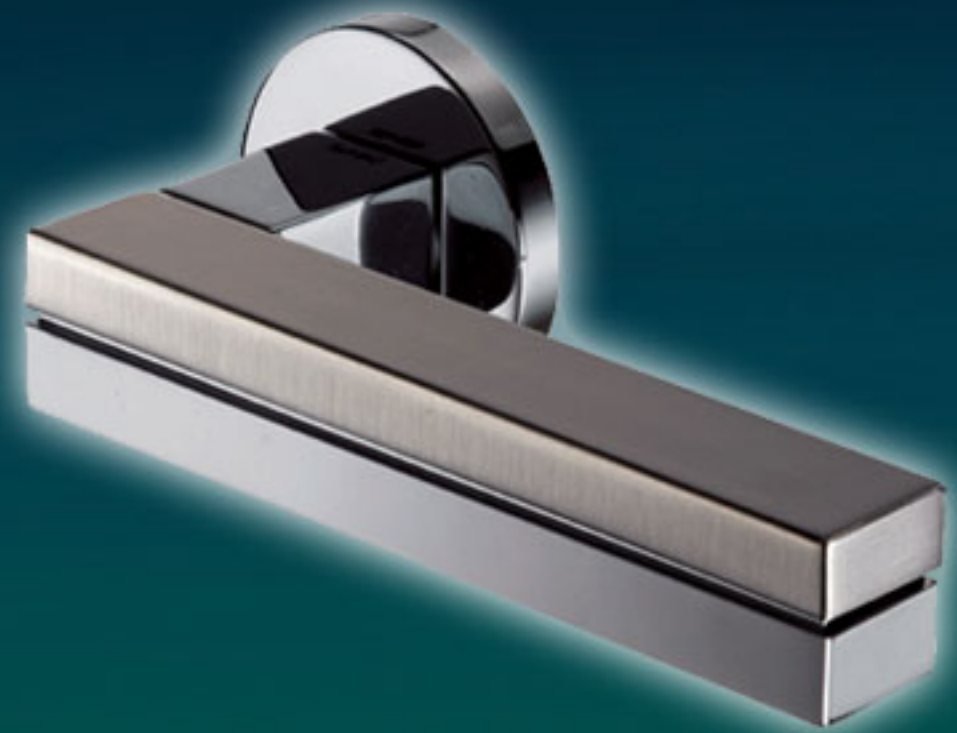
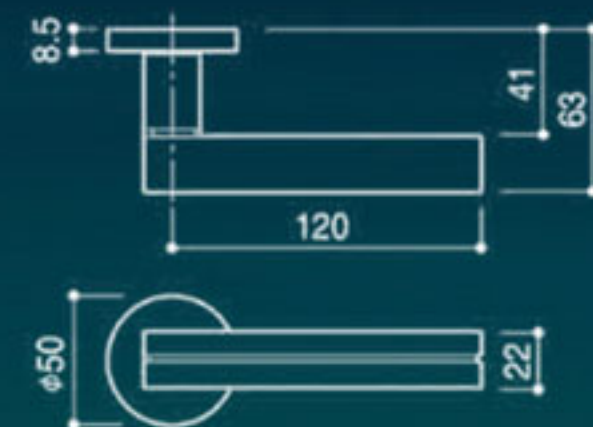
HRE.830.06

RVT
Material : Zinc Die Casting
Finish : US15 + BL
(Satin Nickel + Black)



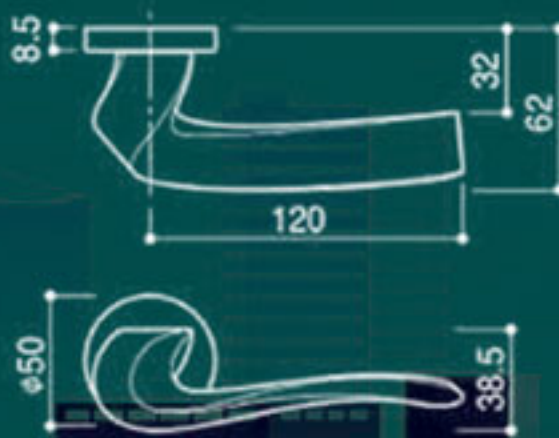
HRE.830.08

EZC
Material : Zinc Die Casting
Finish : US26 + US15
(Polished Chrome + Satin Nickel)



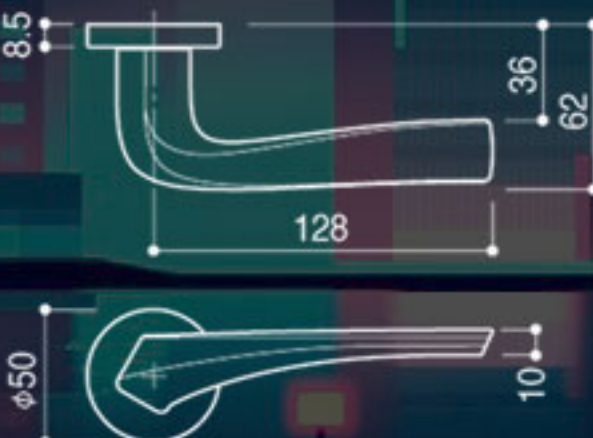
HRE.830.11

AYC
Material : Zinc Die Casting
Finish : US15
(Satin Nickel)



HRE.830.31

A8C
Material : Brass
Finish : US26 + US26D
(Polished + Satin Chrome)



Lever Handle



KENARI DJAJA
SINCE 1969
We provide more than security

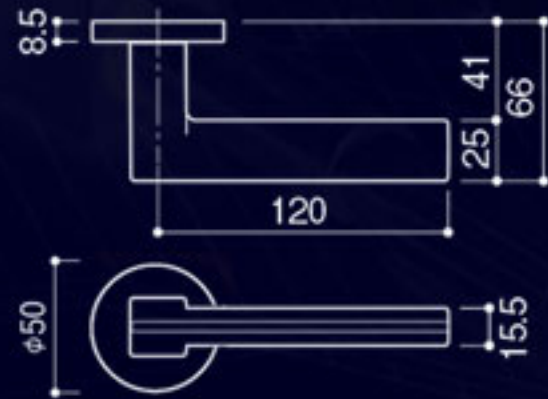
KAWAJUN
DESIGN & QUALITY

MADE IN
JAPAN

HRE.830.13

KTC

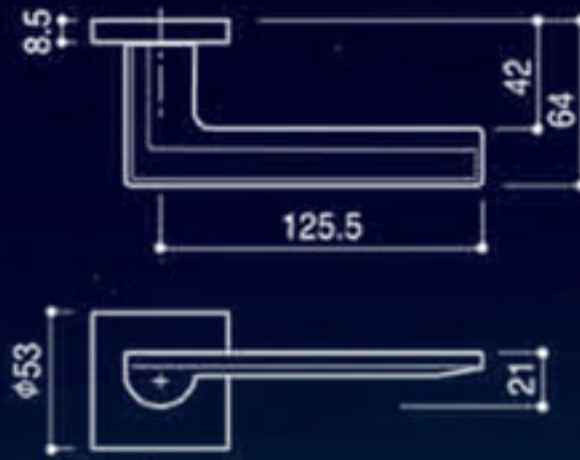
Material : Zinc Die Casting
Finish : US15
(Satin Nickel)



HRE.830.20

F6

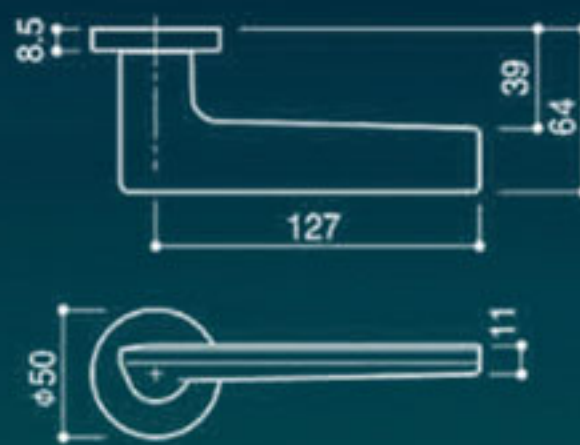
Material : Zinc Die Casting
Finish : US26 + US15
(Polished Chrome + Satin Nickel)



HRE.830.21

C5

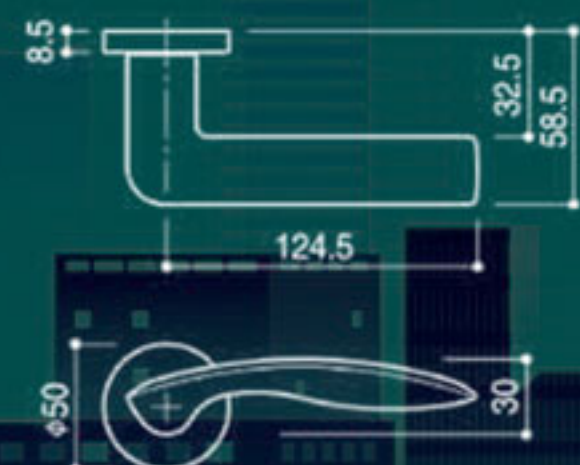
Material : Brass
Finish : US26D
(Satin Chrome)



HRE.830.22

C4

Material : Brass
Finish : US26D
(Satin Chrome)



Lever Handle



KENARI DJAJA
SINCE 1988
We provide more than security

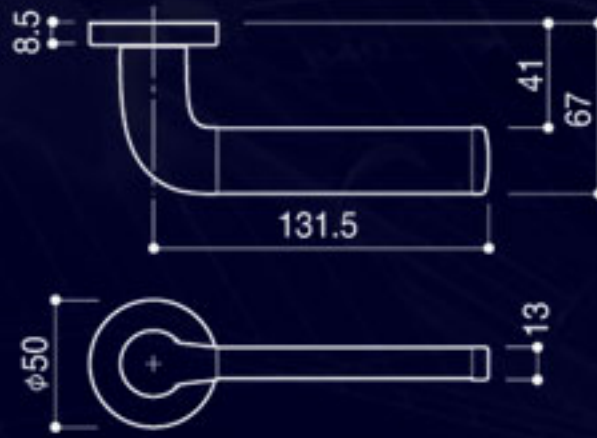
KAWAJUN
DESIGN & QUALITY

MADE IN
JAPAN

HRE.830.23

FLCC

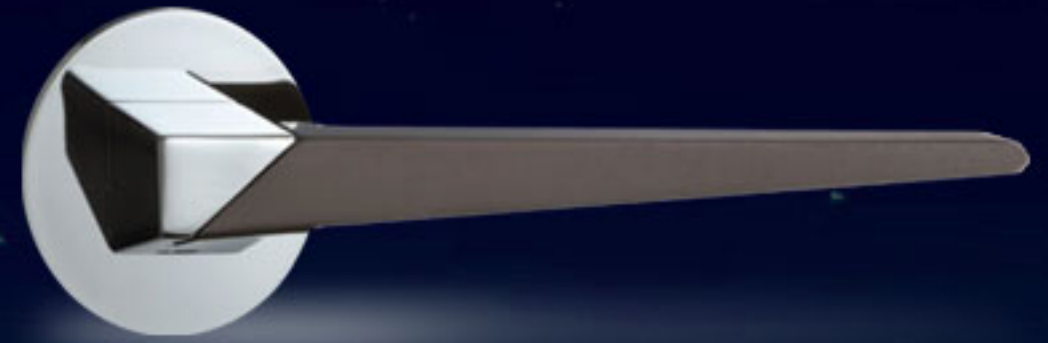
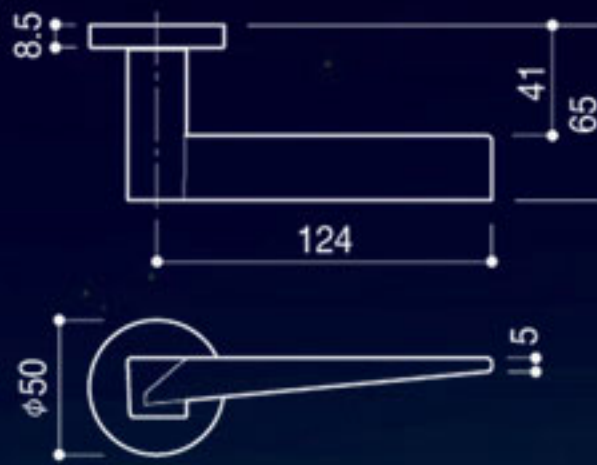
Material : Zinc Die Casting
Finish : US26 + BL
(Polished Chrome + Black)



HRE.830.26

FNCC4Q

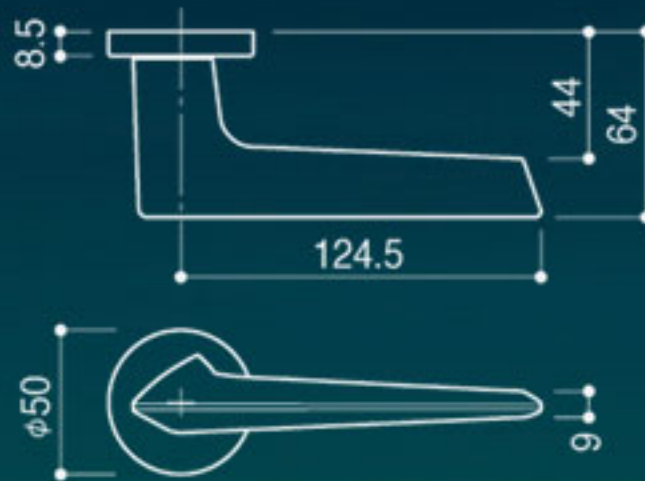
Material : Zinc Die Casting
Finish : US26 + DB
(Polished Chrome + Dark Brown)



HRE.830.33

E9C

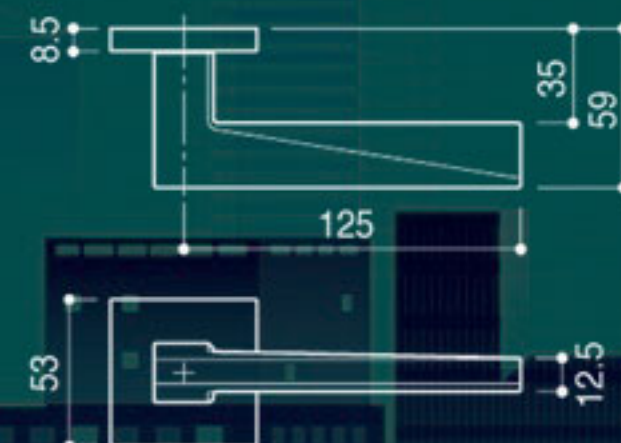
Material : Brass
Finish : US26 + US26D
(Polished + Satin Chrome)



HRE.830.34

K9T

Material : Zinc Die Casting
Finish : PB
(Pearl Black)



KEND®
The Italian Art of Lock Systems

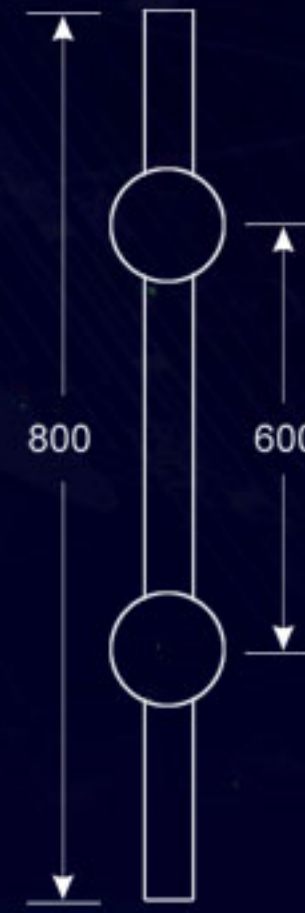
P.75.74

Material : Stainless Steel
Finish : US32D



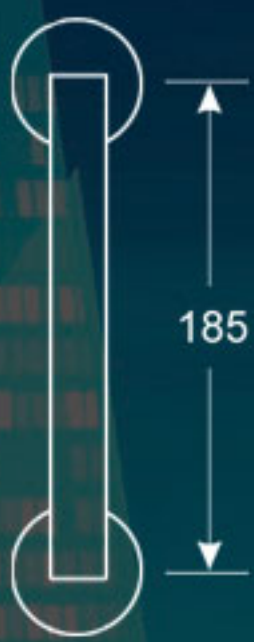
P.75.69

Material : Stainless Steel
Finish : US32D



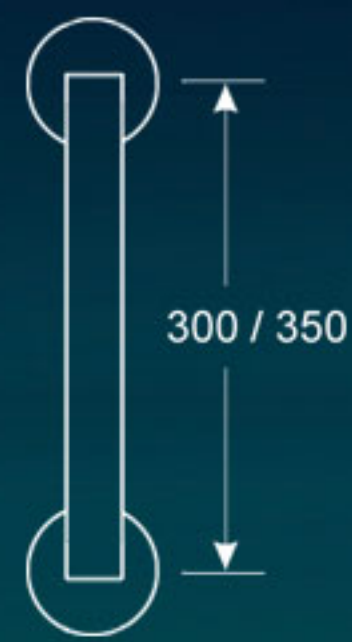
PR.73.01

Material : Stainless Steel
Finish : US32D



**- GHD.0002
- GHD.0003 I
- GHD.0003 D32x350MM**

Material : Stainless Steel
Finish : US32D



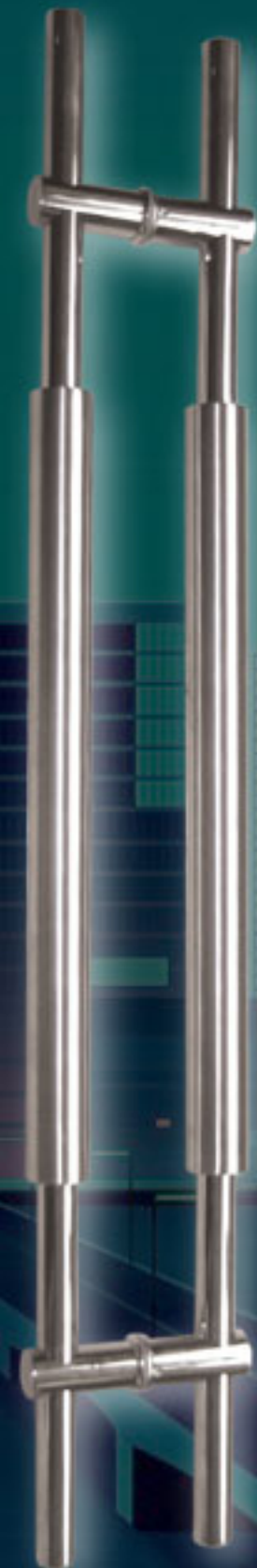
GHD 4501

D32x600x900MM
Material : Stainless Steel
Finish : US32D + US32



GHD 4502

D32x600x900MM
Material : Stainless Steel
Finish : US32D + US32





KEND®

The Italian Art of Lock Systems

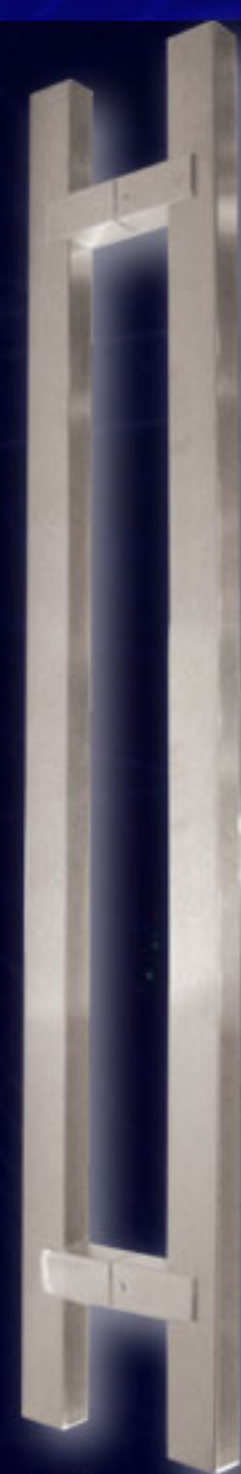
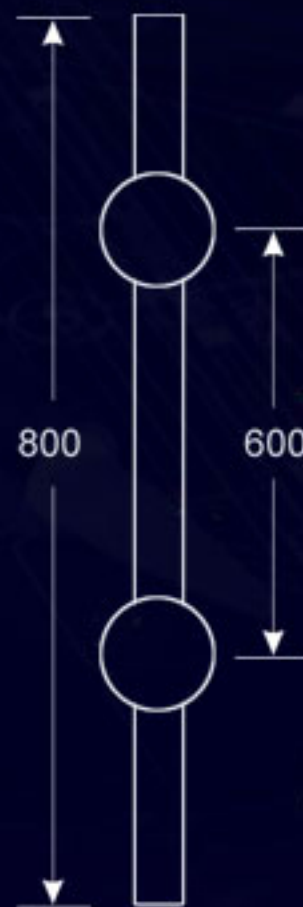
GHD.4503

D25x600x800MM
Material : Stainless Steel
Finish : US32D + US32



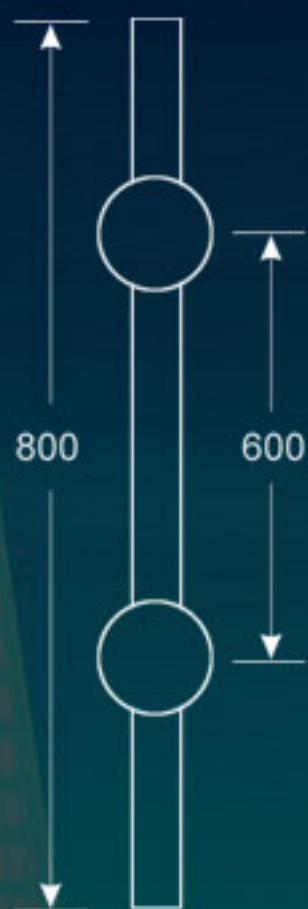
GHD.4504

D38x600x800MM
Material : Stainless Steel
Finish : US32D + US32



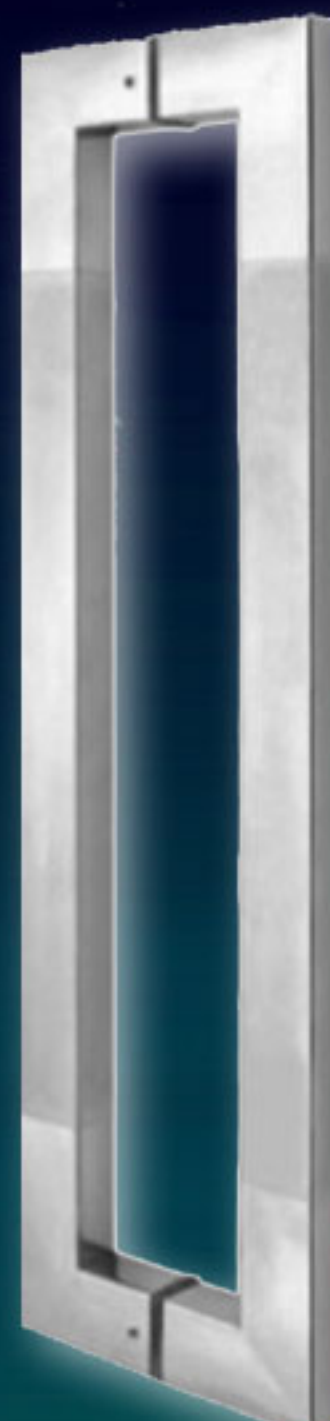
GHD.4505

D30x600x800MM
Material : Stainless Steel
Finish : US32D + US32



GHD.0036

D38x100CM
Material : Stainless Steel
Finish : US32D + US32



GHD.0037

D40x100CM
Material : Stainless Steel
Finish : US32D



GHD.9602

D38x800MM
Material : Stainless Steel
Finish : US32D + WOOD

